

SHARPER IMAGE®



2-IN-1 STEAM IRON AND FABRIC STEAMER

OWNER'S GUIDE



MODEL
SI-770

IMPORTANT SAFETY INSTRUCTIONS

This owner's guide and any additional inserts are considered part of the product. They contain important information about safety, use and disposal. Before using the product, please familiarize yourself with all operating and safety instructions. Please keep all documents for future reference and pass these documents on, together with the product, to any future owner. See sihomecomfort.com to view, download and print the most current version of these instructions.

INTENDED USE: This product is intended to be used indoors for ironing and garment steaming in the United States. This product is not intended for commercial or industrial use. The manufacturer assumes no responsibility for damage or injury due to unauthorized use or product modification. Failure to follow these directions will void the product warranty.

WARNING: Risk to Children and Impaired Persons

- Supervision is required during the installation, operation, cleaning and maintenance of this product by children age 12 and younger and anyone with reduced physical, sensory or mental capabilities. Children should be supervised to ensure that they do not play with the appliance, its parts and packaging material.

Directions to reduce risk of fire, electrical shock, and injury:

When using your appliance, basic precautions should always be followed, including the following:

- Read all instructions before use.
- Use caution when handling this steam unit. Burns could occur from touching hot metal parts, hot water, or steam. Use special care to avoid contact with hot water when

- turning the product upside down to empty the reservoir.
- To reduce the risk of contact with hot water, test whether steam is ready before each use while carefully holding the product away from your body. If no steam appears, wait a few more minutes and test again. Do not look into the appliance, use your hands or other objects to check for steam.
 - Do not leave appliance unattended while connected.
 - To reduce the risk of electric shock, do not immerse the appliance in water or other liquids.
 - Unit is only meant to be used with recommended accessories. Using other types of attachments may cause damage to unit or injury.
 - Always disconnect appliance from electrical outlet when filling with water or emptying, and when not in use.
 - Do not allow cord to touch hot surfaces. Let appliance cool completely before putting away. Wrap cord with supplied "hook and loop" fastener when storing.
 - Never yank cord to disconnect from outlet. Instead, grasp just the plug and pull to disconnect.
 - Do not operate appliance with a damaged cord, or if the appliance has been dropped or damaged. To reduce the risk of electric shock, do not disassemble or attempt to repair the appliance. All repairs must be performed by a qualified service professional. Incorrect reassembly or repair could cause a risk of fire, electric shock, or injury when the appliance is used.
 - If Power Light does not illuminate when unit is turned ON, unit is not operating normally. Immediately unplug and have unit serviced by qualified service personnel.
 - When filling Water Tank, only water should be used in unit
 - other cleaning agents could damage unit or cause injury. Distilled or de-mineralized water is highly recommended, in order to minimize potential build-up of mineral deposits. Do

not overfill unit. Do not refill unit during use. Allow unit to cool at least 15 minutes before refilling.

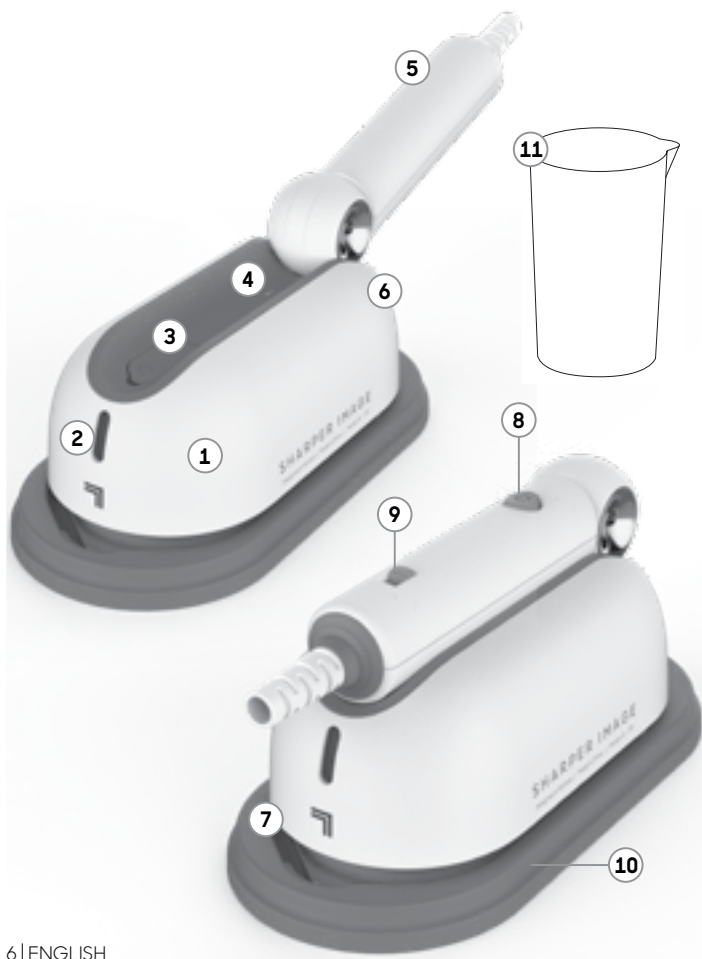
- Do not attempt to use steam function without properly filling Water Tank.
- To reduce risk of contact with hot water emitting from steam vents, check appliance before each use by positioning it away from body and pressing Steam Burst Button. Do not operate unit if steam vents are blocked.
- Do not allow power cord to touch hot surfaces (such as Ironing Plate) during use.
- Wrap cord with supplied "hook and loop" fastener when storing.
- Always allow unit to cool completely (at least 30 minutes) before storing. Place unit on provided Resting Plate when cooling, to avoid heat damage to surfaces.
- The iron must be used and rested on a stable surface.
- A loose fit between wall outlet (receptacle) and plug may cause overheating and distortion of the plug. Discontinue use of the product in this outlet. Contact a qualified electrician to replace loose or worn outlets.
- To reduce the likelihood of circuit overload, do not operate another high wattage appliance on the same circuit.
- If an extension cord is absolutely necessary, a 15 amp rated cord should be used. Cords rated for less amperage may overheat. Care should be taken to arrange the cord so that the cord cannot be pulled or tripped over.
- This appliance has a polarized plug (one blade is wider than the other.) To reduce the risk of electrical shock, this plug is intended to fit in a polarized outlet only one way. If the plug does not fit fully in the outlet, reverse the plug. If it still does not fit, contact a qualified electrician. Do not attempt to defeat this safety feature.
- Use appliance only for its intended use.

WARNING: Changes or modifications not expressly approved by the party responsible for compliance could void the user's authority to operate the equipment.

Please refer to our website for the most current version of our owner's guide.

READ AND SAVE THESE INSTRUCTIONS

FEATURES



- 1 MAIN BODY**
Contains the unit's internal heating components.
- 2 WATER TANK (INTERNAL)**
Designed to hold a maximum of 3.38 oz (100 mL) of water.
- 3 WATER TANK COVER**
Covers the Water Tank fill hole to eliminate water from dripping out of tank during use.
- 4 POWER LIGHT**
Illuminates ORANGE when the unit is powered on and ready for use. The light illuminates PURPLE during steam output.
- 5 HANDLE**
Designed for easy control and navigation of the unit.
- 6 ROTARY BUTTON**
Allows the handle to rotate and lock into position.
- 7 IRONING PLATE**
The heated, non-stick surface that is used to press fabrics, remove wrinkles and create creases. Has six steam outlet holes for steaming fabrics.
- 8 STEAM BUTTON**
When pressed, the unit will begin to produce steam. Button must be held down during use for steam production.
- 9 POWER SWITCH**
Turns the unit ON (I) and OFF (O).
- 10 RESTING PLATE**
Provides a heat resistant surface to rest the unit while not in use.
- 11 FILL CUP**
Designed to help you easily and consistently fill the Water Tank.

FILLING WATER TANK

1. Turn OFF (○) and unplug unit from power source.
2. Set unit on Resting Plate.
3. Lift edge of Water Tank Cover to reveal Water Tank Fill Hole.
4. Follow marked MAX line on Water Tank. Do not overfill Water Tank.

NOTE: In order to extend the life of your unit and keep it functioning at its maximum potential, it is highly recommended that distilled or demineralized water be used in Water Tank.

5. Replace Water Tank Cover.

While steam ironing, the Water Tank Windows let you monitor the water level in the Water Tank. When the water level becomes low:

1. Follow STEPS 1–3 above.



Use CAUTION to avoid touching the heated Ironing Plate when refilling the unit.

2. Plug power cord in, turn unit ON and resume steaming as usual.

HOW TO USE

CAUTION: When steaming and ironing material for the first time, it is recommended that you test a small inconspicuous area before proceeding. Do not use on synthetic fabrics such as 100% nylon or polyester, or other steam-sensitive materials.

CAUTION: The Ironing Plate can reach a temperature of 392°F. Ensure the fabrics being ironed are appropriate for this temperature.

DRY IRONING

1. Rotate the Handle until the Rotary Button clicks into place. See figure 1A.
2. Plug power cord into a convenient electrical outlet
3. Turn unit to ON (I) position. When ON, the Power Indicator Light will illuminate ORANGE. When using the Steam function, the Light will illuminate PURPLE.
4. The Ironing Plate will immediately begin to heat and after approximately 35 seconds will reach it's maximum temperature of 392°F. Ensure the materials being ironed are appropriate for this temperature.
5. Place the unit on the Resting Plate while adjusting fabrics and garments.
6. When ironing tasks are finished, turn unit OFF.
7. Place unit on Resting Plate and allow to cool for at least 15 minutes.
8. Press and hold the Rotary Button to return the handle to it's resting position. See figure 1B.

STEAM IRONING AND FABRIC STEAMING

1. Follow Filling Water Tank procedure on page 8.
2. Follow steps #1-4 above.
3. For steam production, press and hold the Steam Button. Steam will immediately begin to emit from the Ironing Plate.
4. To steam iron, press the steaming ironing plate along the garment or fabric you wish to iron to remove wrinkles and create creases.

5. To steam hanging fabrics,
 - Hang garment or fabric from clean, rust-free hanger
 - Direct the steaming Ironing Plate towards bottom of garment. Steam will rise along inside and outside of material, removing wrinkles. Slowly slide the steaming Ironing Plate upward from bottom to top of garment
 - Direct steaming Ironing Plate away from garment and smooth material with free hand.
 - Repeat as necessary until garment is fresh and wrinkle-free.
6. Release Steam Button and set unit on Resting Plate while adjusting fabrics and garments.
7. When steaming tasks are finished, turn unit OFF.
8. Place unit on Resting Plate and allow to cool for at least 30 minutes.
9. Press and hold the Rotary Button to return the handle to it's resting position. See figure 1B.

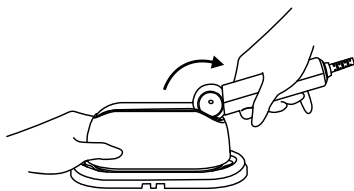


FIGURE 1A

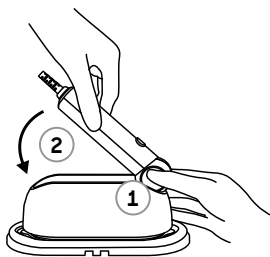


FIGURE 1B



CAUTION: BURN HAZARD. Do Not Touch Surface and Do Not activate steam while unit is seated on Resting Plate.

GENERAL STEAMING TIPS

- For most effective results, hold Ironing Plate within 1/2 inch of fabrics, or press it directly against surfaces.
- Curtains and draperies can be steamed while still hanging.
- To remove wrinkles from towels, handkerchiefs and napkins, drape them over a rod or towel rack and gently steam them.
- Heavier fabrics may require repeated steaming to achieve desired results.
- To remove exceptionally stubborn wrinkles, steam both sides of fabric.
- Be especially careful when steaming any delicate fabrics that may be damaged by heat or water spotting.
- To sanitize a fabric, hold Ironing Plate within 1/2 inch of a single area for at least 5 seconds. Use caution when doing this on more delicate fabrics.

When you are finished using your 2-in-1 Steam Iron and Fabric Steamer, immediately turn OFF and unplug power cord from electrical outlet. Refer to **Storage & Care** guidelines on Page 12 of this manual for proper storage and maintenance procedures.

CAUTION: Always point steam in a safe direction (away from yourself, other people, pets and plants) when steaming.

STORAGE & CARE

PROPER STORAGE

Preparing your 2-in-1 Steam Iron and Fabric Steamer for storage is quick and simple. When you have finished your steaming tasks, follow the steps listed below.

1. Set unit on the Resting Plate.
2. Turn unit OFF and unplug from power source.
3. Allow unit to cool at least 30 minutes.
4. Drain any remaining water into a sink or tub to minimize potential build-up.
5. Press Rotary Button to rotate handle to resting position.
6. Wrap cord with supplied "hook and loop" fastener when storing.
7. Store unit in cool, dry place.

MINERAL BUILD-UP

A common maintenance need for steam appliances is the removal of build-up caused by high mineral content in many municipal water supplies. This mineral build-up may cause the unit to spew water, limit the effectiveness and reduce the life of your 2-in-1 Steam Iron and Fabric Steamer.

The best way to minimize mineral build-up is to use distilled or de-mineralized water when using your 2-in-1 Steam Iron and Fabric Steamer.

TO REMOVE MINERAL BUILD-UP

1. Follow Steps 1-4 under Proper Storage section.
2. Fill measuring cup with 1.0oz (29.6mL) of distilled water and 1.0oz (29.6mL) of vinegar.
3. Slowly pour water-vinegar solution into Water Tank, then replace Water Tank Cover.
4. Plug in power cord and turn unit ON. Unit will immediately begin to heat.
5. Point Ironing Plate into a sink or tub and press the Steam Button to allow unit to produce steam for 1 minute. Then, turn unit off and

unplug from power source.

6. Allow unit to sit powered off for approximately 30 minutes, then plug back in and turn on. Allow remainder of the Water Tank's contents to be steamed out.
7. Once Water Tank is drained, turn unit off and refill Tank with 3.38oz (100mL) of fresh, distilled or de-mineralized water. Turn on again and allow the remainder of the Water Tank's contents to be steamed out. Repeat as necessary until vinegar odor dissipates.

TROUBLESHOOTING

PROBLEM	POSSIBLE CAUSE AND SOLUTION
Unit fails to heat up. Power Light DOES NOT illuminate.	Unit is not plugged in. Plug power cord into electrical outlet.
	Household circuit breaker / ground fault interrupter has tripped or blown a fuse. Reset circuit breaker / ground fault interrupter, or replace fuse. For assistance, contact a licensed electrician.
	Unit is damaged or in need of repair. Immediately cease usage and unplug. Contact Consumer Service for assistance.
Unit heats up, but fails to steam. Power Light DOES illuminate. Note: Always allow sufficient time for unit to heat up before pressing Steam Button.	Water tank is empty. Refer to Filling Water Tank procedure on Page 8.
	Mineral build-up in unit. Refer to MINERAL BUILD-UP section on Page 12 for cleaning procedure.
	Unit is still heating up. Wait at least 35 seconds after unit is turned ON until Steam Button is pressed.
Steam output is weak or intermittent.	Mineral build-up in unit. Refer to MINERAL BUILD-UP section on Page 12 for cleaning procedure.
	Water level in Water Tank is running low. Refer to Filling Water Tank procedure on Page 8 to refill Water Tank.
Unit is leaking water.	Water tank is overfilled. Do not fill past MAX line.

1

YEAR
SATISFACTION
GUARANTEE

WARRANTY

If you're not satisfied with this product, let us know.

Vornado Air, LLC warrants to the original consumer or purchaser this Sharper Image® Steam Product ("Product") is free from defects in material or workmanship for a period of one (1) year from the date of purchase. If any such defect is discovered within the warranty period, Vornado, at its discretion, will repair or replace the Product at no cost.

For warranty or repair service: Call 833-800-8669 or email help@sihomecomfort.com to obtain a Return Authorization ("RA") form. Please have or include your Product's model number and serial number, as well as your name, address, city, state, zip code and phone number when contacting Vornado for warranty service.

After receiving the RA form, ship your Product to: Vornado Air LLC Attn: Warranty & Repair 415 East 13th Street Andover, KS 67002. For your convenience, please have your model number and serial number when contacting Vornado with service inquiries. To assure proper handling, packages must be clearly marked with the RA number. Packages not clearly marked with the RA number may be refused at the receiving dock. Please allow 1-2 weeks for repair and return of your Product after the Product is received.

Repairs not covered by the warranty or outside the warranty period will require a fee to cover the cost of materials, labor, handling and shipping.

This warranty does not apply to defects resulting from abuse of the Product, modification, alteration, mishandling, improper maintenance, commercial use or repair or service of the Product by anyone other than Vornado; damages which occur in shipment or are attributed to acts of God. Improper product use, which includes using an external device that alters or converts the voltage or frequency of electricity, or shipping a Vornado product to a country not intended for use will void all warranties. Any unauthorized product modification, repair by unauthorized repair center, or use of non-approved replacement parts is not recommended and any consequences will not be covered by support services or product warranties. The product warranty will be honored only on models that

are being used in the country intended. REPAIR OR REPLACEMENT AS PROVIDED UNDER THIS WARRANTY IS THE EXCLUSIVE REMEDY OF THE CONSUMER. VORNADO SHALL NOT BE LIABLE FOR ANY INCIDENTAL OR CONSEQUENTIAL DAMAGES FOR BREACH OF ANY EXPRESS OR IMPLIED WARRANTY ON THIS PRODUCT. EXCEPT TO THE EXTENT PROHIBITED BY APPLICABLE LAW, ANY IMPLIED WARRANTY OF MERCHANTABILITY OR FITNESS FOR A PARTICULAR PURPOSE ON THIS PRODUCT IS LIMITED IN DURATION TO THE DURATION OF THIS WARRANTY. Some states do not allow the exclusion or limitation of incidental or consequential damages, or allow limitations on how long an implied warranty lasts, so the above limitations or exclusions may not apply to you. This warranty gives you specific legal rights, and you may have other rights that vary from state to state. The manufacturer assumes no responsibility for damage caused by failure to follow these instructions or improper product use. Any such actions will invalidate the product warranty.

All company names and product names are trademarks of their respective owners. © All rights reserved. All technical information, data, and instructions for the installation, connection, and operation contained in these instructions for use correspond to the latest available information at time of printing. The contents of this manual may differ slightly from the actual product. Observe any additional supplements.

©2021 Vornado Air LLC, Andover, Kansas 67002 USA.

Specifications subject to change without notice.

Sharper Image® name and logo are registered trademarks.

Manufactured, marketed and distributed under license by Vornado Air LLC, Andover, Kansas 67002.

Manufactured in China.

U.S. Patents Pending.

Sharper Image® Distributed under license by Vornado Air LLC, Andover, Kansas 67002.

SHARPER IMAGE®

833.800.8669 | sihomecomfort.com | help@sihomecomfort.com